

PMW LED Dimming Control Module

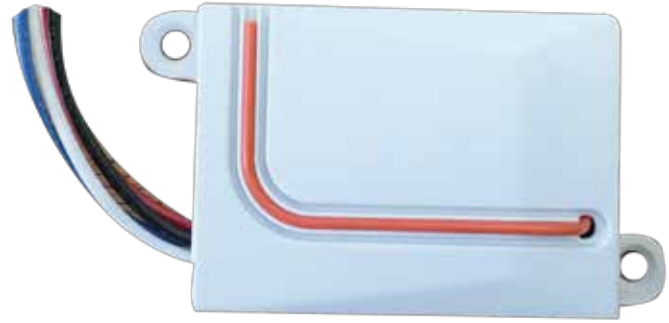
ENDC



Description:

Entuit's PMW LED Dimming Control Module, through the use of thousands of PWM dimming steps, creates what is perceived by the eye as a single continuous dim, even at extremely low light levels. Entuit's PWM LED Dimming control Module is 50%-75% smaller than similar LED dimmers. Our small form factor dimmer overcomes a major issue that most traditional LED dimmers deal with; the devices eliminate the issues of choppiness at lower dim levels.

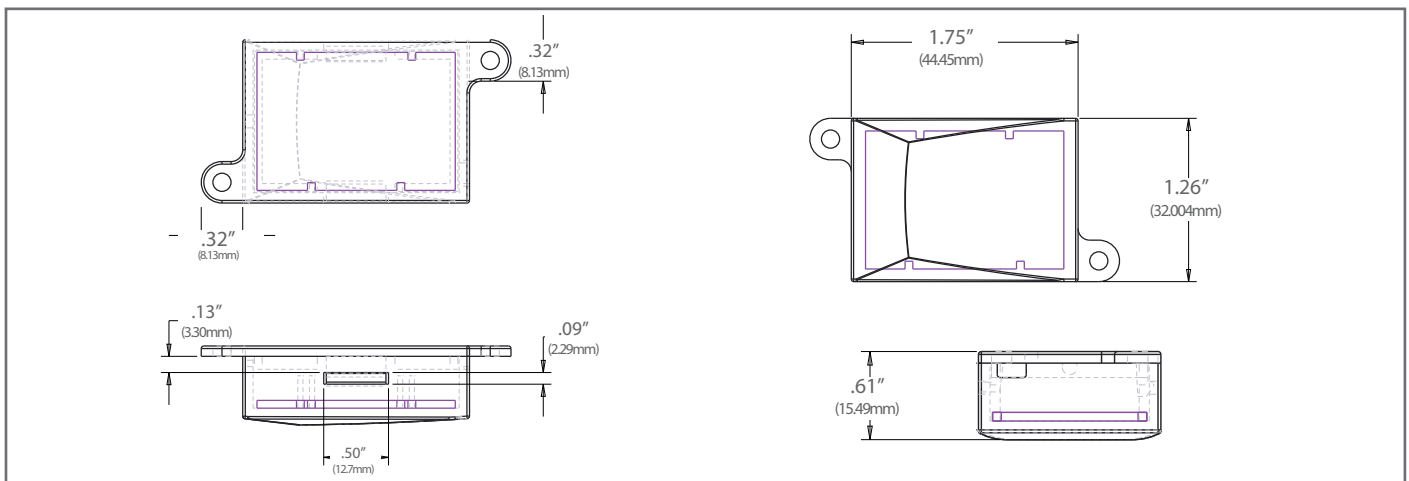
This module is adaptable to most environments and is ideal for energy savings applications. Whether it be daylighting, architectural dimming, load shedding, or Manual ON / Automatic OFF Control, this device is the answer. Our dimmers have the ability to be utilized for custom lighting applications as well. Entuit's wireless dimming controllers communicate with self-powered, wireless rocker switches, self-powered wireless sensors, wired sensors, and wired switches. The wired dimming controller responds to wired sensor or wired rocker switches.



TECHNICAL DATA

Input Voltage	12-24 VDC
Output Voltage	12-24 VDC
Output Current	Max 5A
Standby Power	<1W
Number of Outputs	1
Wireless Protocol	EnOcean Wireless Protocol
Operating Temperature	32° -140°F (0°-60°C) - Indoor use only
EnOcean Profile	A5-38-08 Type 0x02 Dimming
Wireless Range	150ft (50 ft - 150 ft typical) / 45.72m (15.24m - 45.72m)
Certifications	FCC (United States SZV-TM3XXX) IC (Canada) 5713A-TCMXXX CE
Dimensions	W: 2.39" (60.71mm) x H: 0.61" (15.49mm) x D: 1.26" (32.004mm)

Dimensions:



Entuit, Inc.

1930 Baseline Road - Grand Island, NY 14072 - phone (716) 775.9572 - www.EntuitInc.com - sales@entuitinc.com