

Single Channel Lighting Control Module

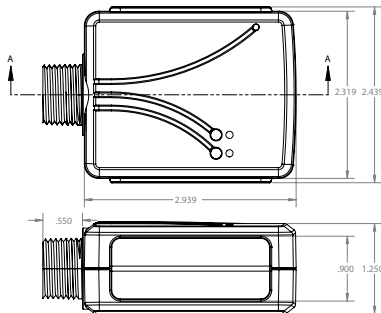
5 Amp ENLC-5



Description

The ENLC-5 Lighting Control Module responds to a variety of wireless EnOcean devices to control and dim LED drivers, fluorescent ballasts, or other switchable loads. The ENLR offers on/off control when combined with a wireless light switch or automatic shut-off when combined with a wireless occupancy sensor. Additionally the Lighting Control Module can perform occupancy-based setback dimming and self-contained daylight harvesting functions

Dimensional Line Drawing



Features

Customize Control Options

Control the ENSW with the variety of Entuit Devices:

- Self-powered wireless light switch
- Lux sensor (for daylight harvesting)
- Occupancy motion sensor
- Smart phone

Reliable Range

50-150' range (typical).

Compatible with all Entuit switches

Error checking ensures response only to configured wireless switches

A single transmitter can control unlimited number of ENSW's in range

SPECIFICATIONS

Range	150 feet (50-150 typical)
Radio Frequency	315, 868, 902, 928 MHz EnOcean Protocol
Input Voltage	120/277 VAC
Max Switched Power	2400/5540 W @ 120/277 VAC respectively
Max Switched Current	5AMP
Max Switched Voltage	120/277 VAC
Relay Output	1 N.O. and 1 Common contact
Dimmer Output	0-10V, 30 mW (sinking)
Ambient Operating Temperature	40°C for a 16A load - 30°C for a 20A load
Dimensions	2.439" x 2.939" x 1.25"
Certifications	ETL/Intertek - UL 60730-1 CSA E60730-1 FCC (United States) SZV-TCM2XXC IC (Canada) 5713A-TCMXXC

Entuit, Inc.

1930 Baseline Road - Grand Island, NY 14072 - phone (716) 775.9572 - www.EntuitInc.com - sales@entuitinc.com