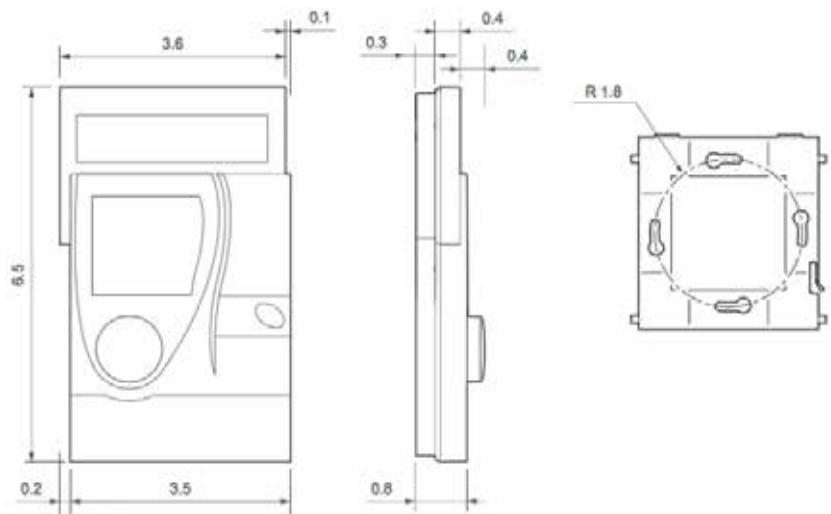


Thermostat - Self Powered

ENTW



Dimensions



Application

Solar-powered room control module with LCD and controls, with smart communication management for measuring room temperature and for wireless transmission of measured values, occupancy, setpoint and weekly schedule.

The ENTW supports the EnOcean radio standard ISO/IEC 14543-3-10 for direct communication with the ENWV valve actuator and ENEB gateway. It uses EEP D2-10-01* for connection to an EnOcean gateway.

In combination with the ENWV, the ENCB constitutes a functional unit for controlling the room temperature.

Safety Instructions

This data sheet contains information on installing and commissioning the product "ENTW". Each person who carries out work on this product must have read and understood this data sheet. If you have any questions that are not resolved by this data sheet, you can obtain further information from the supplier or manufacturer. If the product is not used in accordance with this data sheet, the protection provided will be impaired. Applicable regulations must be observed when installing and using the device. Within the EU, these include regulations regarding occupational safety and accident prevention as well as those from the VDE (Association for Electrical, Electronic & Information Technologies). If the device is used in other countries, it is the responsibility of the system installer or operator to comply with local regulations. Mounting, installation and commissioning work on the devices may only be carried out by qualified technicians. Qualified technicians are persons who are familiar with the described product and who can assess given tasks and recognize possible dangers due to technical training, knowledge and experience as well as knowledge of the appropriate regulations.

Thermostat - Self Powered

ENTW



Technical Specifications

Part Numbers (Frequency Dependant)	M9-RBW (902 MHz - North America)
Power	Dual power supply consisting of a solar cell and an internal energy storage unit with priority management. Internal energy storage unit with priority management.
Measured Value	Room temperature of spaces in homes or offices
Measuring System	Integrated digital sensor
Temperature Units	Can be set to °C or °F
Measuring Range	0 to 50°C or 32 to 122°F
Relative Measurement Precision	0.1 K
Display	LCD: -Time -Weekly Schedule -Icon display to indicate operating mode -Setpoint in the temperature units selected 10 to 30°C, in 0.1 K increments or 50 to 85°F, in 1°F increments
Controls	- Knob with push button for setting: setpoint, party mode, vacation mode, weekly schedule, time, date, display options (e.g. 12/24 hour display) and service data - Occupancy button: Manual switch between present / absent
Interfaces	- Radio telegram: EnOcean radio telegram, bidirectional - Operating range: Approx. 30 m in buildings (depending on building structure) - Duty Cycle: < 1% - Cyclic transmission / reception intervals
Transmission Power	< 10 mW
Illumination Strength	Min. 150 lux recommended
Operating Range	Approx. 30 m in buildings (depending on building structure)
Housing	Plastic housing, RAL 9010 (pure white) Other colors on request
Protections Class	III
Degree of Protection	IP30
Ambient Temperature	0 to 50°C
Ambient Humidity	During Operation: 20 to 85% rH, non-condensing; Out of Operation: 5 to 90% rH; non-condensing
Installation	Flexible mounting using screws or adhesive
Weight	0.22 kg
Dimensions	WxHxD: 90 x 153.7 x 26.7 mm